



# Down Converter for Radar on Vehicle

## MDC Series

Enable mm-Wave signals like 76 to 81GHz, Radar on Vehicle, to convert to the measurable frequency band by Oscilloscope and Spectrum Analyzer for Analyze.

### Overview

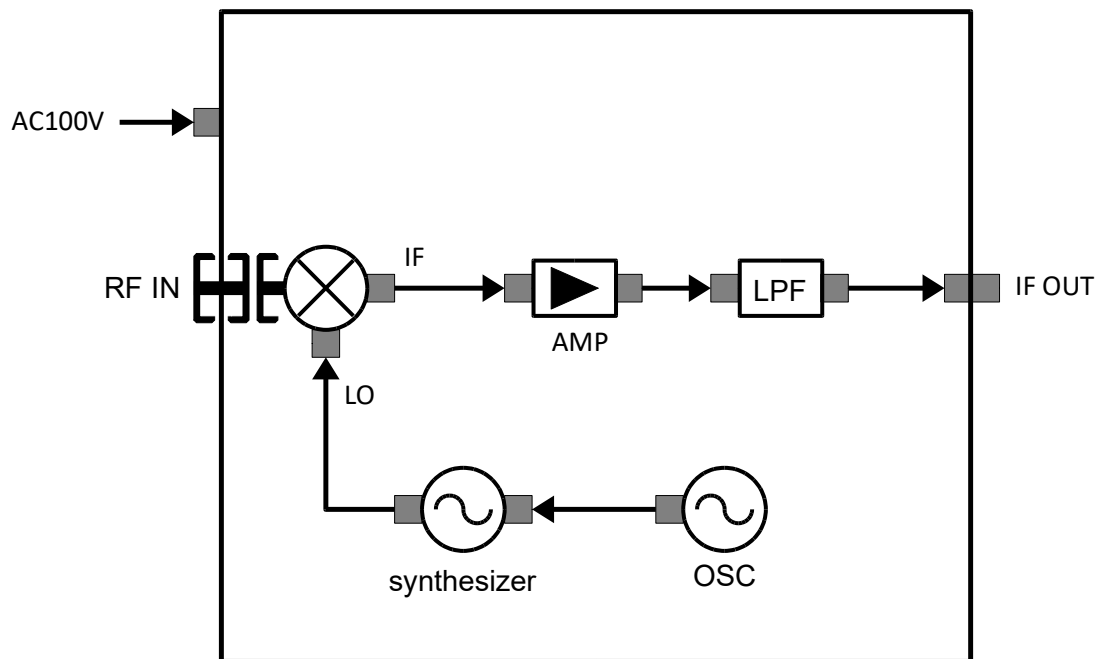
- On board LO source, so unnecessary external signal source
- High Accuracy OCXO adoption
- AC100V operation
- Simple structure
- Available custom requests for example, REF Output, External REF input, Humidity Sensor on board, ports location, etc.



### Main Specification

Parameter		内 容	Notes
Type #		MDC_xx_yy series	Frequency(x)・Band(y)
RF Input	Frequency	76GHz~81GHz	
	Connector	WR-12	
IF Output	Frequency	< 8GHz	
	Connector	SAM(F)	
Conversion Gain		20dB typ.	
Power Supply	V & A	AC100V, < 1A	
	Connector	IEC-60320-C14	
Operation Environment		25±5°C, 30-90%RH	without Condensation
Size		200 × 230 × 210mm	W×D×H no Protrusions
Weight		< 3.0kg	

## Block Diagram



## Connection Sample

